

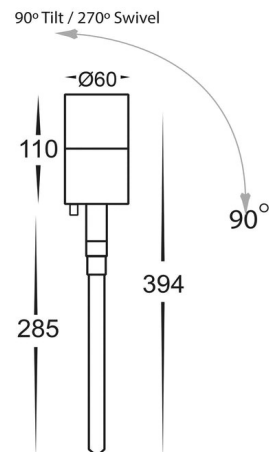
CYCLOPSE

Product code DT. CYCLOPSE/ (add suffix below)

IP65 Zone 2 **CE** **LED** IEE : A+ EN 60598.

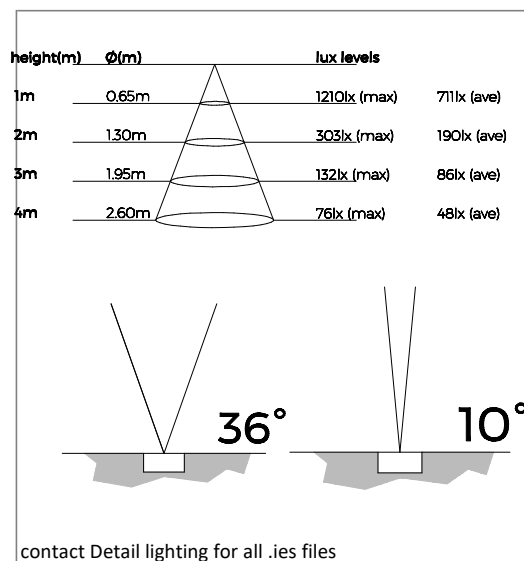
DESCRIPTION / Round surface mounted LED spotlight. Adjustable 45 deg tilt, dimmable. IP rated
WHY USE THIS: Classic out-door ground spot, glare free. Suitable for genral landscape lighting.

Dimensions (mm)
Projection 165x 60 dia
Cut-out (mm)
N/A



material light fixture	Steel
colours & finish/ (suffix)	Outdoor textured matt black
light source & voltage options (PLEASE CONTACT US FOR ALTERNATIVE SOURCES)	a) 7w GU10 LED 36 deg (345 lms) 240v b) 7w GU10 LED 10 deg (345 lms) 240v c) d)
colour temperature /(suffix)	2700K / 3000K
CRI (colour render) /(suffix)	83 90+
MacAdam	<3
Controls options /(suffix)	Phase Dimming
Optional Accessories	Honeycomb Etched glass
AV. Weight (kg)	0.5
Emergency Available?	No
Special Notes	240v fitting No driver required. Supplied with ground spike

technical performance



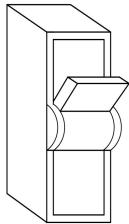


TECH NOTES; Check the luminaires power requirements carefully as it is not possible to determine this from the cable type, thickness and colour. If drivers are required they are sold separately and are not pre wired. Connecting low voltage lights to mains power will result in irreparable damage to the fitting.

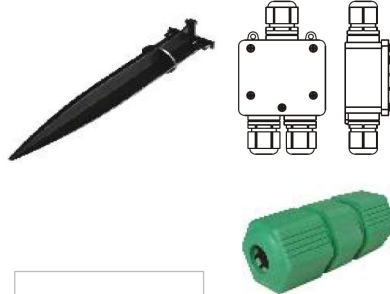
WARNINGS - all enclosures and connections for external lights must be at least IP65 - allow adequate drainage around fittings. **OUTDOOR FIXTURES REQUIRE CORRECT IP CONNECTION**

WARNING: Check fitting type to ascertain correct wiring type (series or parallel) incorrect wiring will damage the fittings. Please note if disconnecting power to the driver then wait up to 30 mins for retained current in the driver to discharge. Also observe that driver should not be powered unless all the LEDs are fitted correctly in a circuit.

1 | Turn off power!

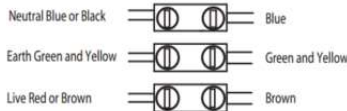
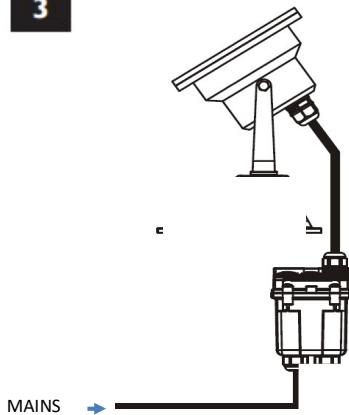


2



1) Always ensure mains power is isolated prior to working on any lighting installation. **REDUCE CABLE SIZE IN ORDER TO MAKE SECURE CONNECTION**

3



OUTDOOR FIXTURES REQUIRE CORRECT IP CONNECTION. CONFIRM SERIES OR PARALLEL WIRING?



2) Site fixing spike; If fitting is being installed in external area ensure there is adequate drainage. Prepare incoming cable with appropriate waterproof connector

3) **REDUCE CABLE SIZE IN ORDER TO MAKE SECURE CONNECTION.** connections for external lights must be at least IP65