

DANNY AIR Surface

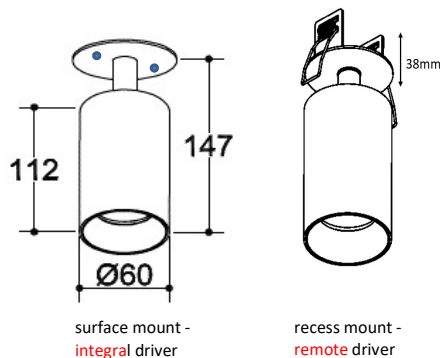
Product Code DT. Danny Air Surface (add suffix see below)

DESCRIPTION / Round LED surface spotlight dimmable. Adjustable 90 deg tilt, 320 deg rotation. **WARM DIM OPTIONAL**
WHY USE THIS: Compact dimensions; simple design; suitable for all display applications.

IP20 zone 3 **CE** **LED** IEE : A+ EN 60598.

Dimensions (mm)
147 X 60 DIA


Cut-out (mm)
n/a



surface mount -
integral driver

recess mount -
remote driver

SEE ALL MOUNTING OPTIONS PAGE 2

material light fixture Aluminium body and bezel
colours & finish/ (suffix) BLACK -10, white -11 or - RAL xxxx
light source & voltage options
(PLEASE CONTACT US FOR ALTERNATIVE SOURCES)
a) 10w (850lms) 23°
b) 10w (850lms) 45°
c) 10w (850lms) 60°
d) GU10 12° 36°
colour temperature /(suffix) **2700K / 3000K / 4000K**
CRI (colour render) /(suffix) 90+
MacAdam 2
Controls options /(suffix) Phase dimming driver integral or remote, DALI and Bluetooth by request 



1800-3000

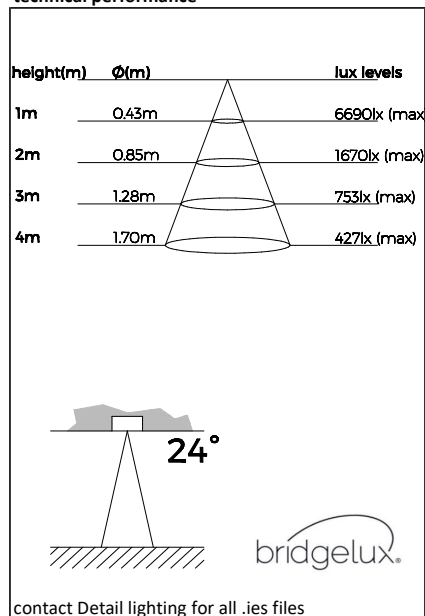
Optional Accessories Standard with honeycomb. Etched glass optional

AV. Weight (kg) 0.9

Emergency Available? No

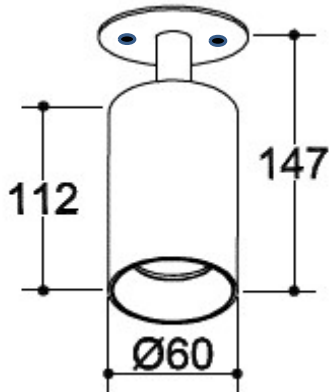
Special Notes Supplied with honeycomb louvre, SEE MOUNTING OPTIONS p.2

technical performance



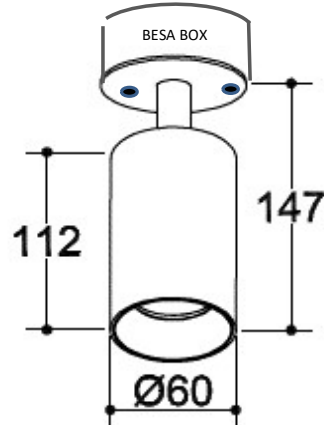
INSTALLATION OPTIONS

SCREW DIRECT TO SURFACE, REQUIRES 20MM CAVITY BEHIND FOR CABLE TERMINATION. SCREW CENTRES CAN FIT A FLUSH BESA BOX (NOT SUPPLIED)

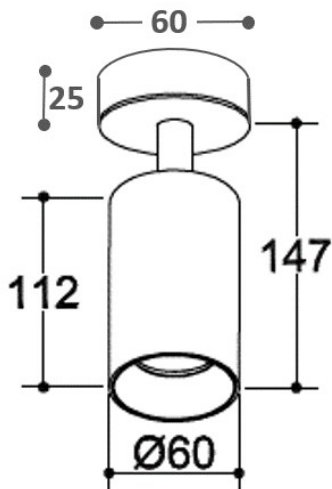


DRIVER BUILT-IN

FIXING CENTRES FIT STANDARD SURFACE BESA BOX (NOT SUPPLIED)

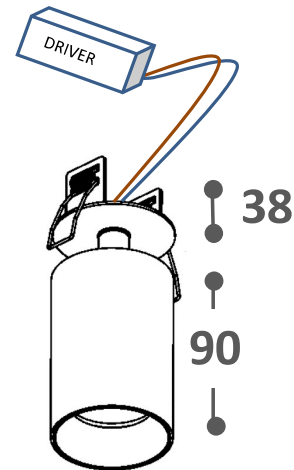


DRIVER BUILT-IN



DRIVER BUILT-IN

SUPPLIED WITH SURFACE PLATE, ALLOWS FOR CONNECTIONS WITHIN



RECESSED CEILING PLATE; DRIVER REMOTE