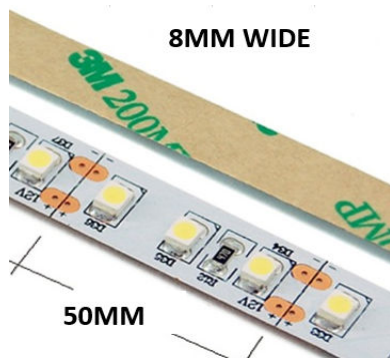


VOLANS PREMIUM Product Code DT. Volans Premium 24v (add suffix see below)

DESCRIPTION / Linear flexible LED strip, 8mm wide with invisible Dow Corning resin coated IP54

WHY USE THIS: Versatile (SMT) LED of high quality CRI90 and high performance. Very close pitch allows for 50mm cutting centres. Ideal for long runs. Fully dimmable and matched with many profiles suitable for all general lighting applications.



9MM PITCH, CUTTING CENTRES
50MM

IP54 zone 2 **CE** **LED** IEE : A+ EN 60598.

Dimensions (mm)
4 (h) x 8 (width)

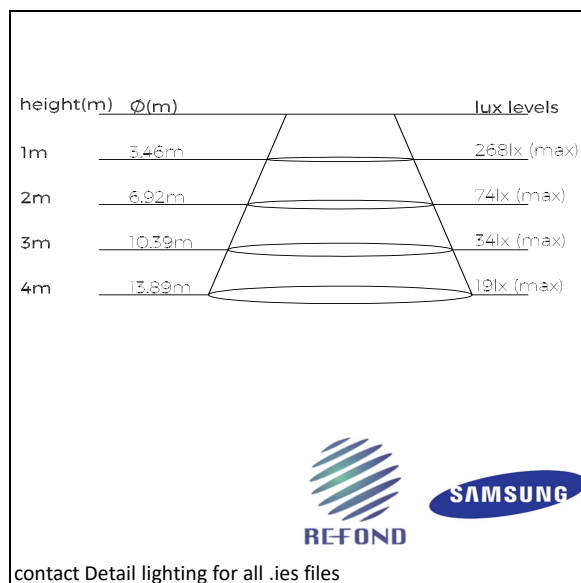
Cut-out (mm)
N/A



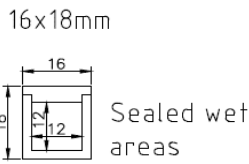
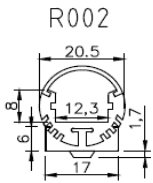
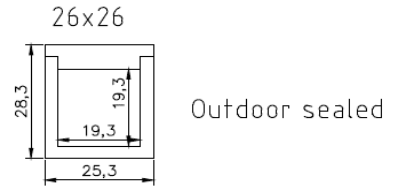
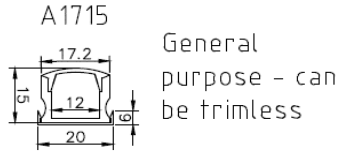
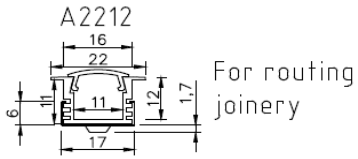
Contact us for the range of profiles

material light fixture	PVC / plastic mix; copper conductors 4oz
colours & finish/ (suffix)	Clear
light source & voltage options (PLEASE CONTACT US FOR ALTERNATIVE SOURCES)	a) (2835) 5w/m LED 140deg (400 lms/m) 24v DC b) (2835) 10w/m LED 140deg (800 lms/m) 24v DC c) d)
colour temperature /(suffix) CRI (colour render) /(suffix) MacAdam	120 LEDs/m 2400K*/2700K / 3000K / 4000K / 6000k* (*to order) 90+ 3
Controls options /(suffix)	phase dimming DALI 0-10V
Optional Accessories	See p.2 for available profiles See p.3-4 for driver options
AV. Weight (kg)	0.04/m
Emergency Available?	Yes
Special Notes	Supplied with 1m attached 'power-lead'. Cutting and soldering service available. Supplied with 3m tape as standard

technical performance



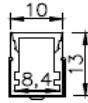
PROFILES FOR VOLANS 8MM WIDE



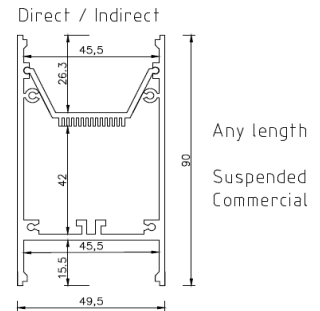
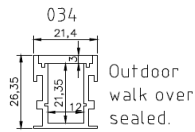
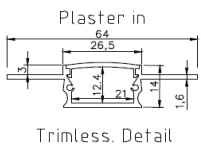
Volans Mini



Coffers & shadow gap



Smallest profile. - High output. Joinery & confined spaces



DRIVER OPTIONS DRIVER + DIMMING INTERFACE OPTIONS

Image	Code	dims	IP rating	Power	Inrush (A)	Comment
	DT.HLG-480-24 	262 X 125 X 43.8mm	IP65	480w	70A	For dimming use with MULTIPLE DT.ECP-701-8A below (additional in-rush current limiter available)
	DT.HLG-320 	252 X 69 X 45MM	IP67	320w	70A	POTENTIOMETER BUILT-IN For dimming use with MULTIPLE DT.ECP-701-8A below (additional in-rush current limiter available)
	DT.HLG-240 	247 X 69 X 39MM	IP67	240w	75A	POTENTIOMETER BUILT-IN For dimming use with MULTIPLE DT.ECP-701-8A below (additional in-rush current limiter available)
	DT.SL-24200D024	235 X 120 X 56MM	IP67	200w	75A	For dimming use with DT.ECP-701-8A below 2-CHANNELS OF 100W
	DT.SL-24150D024	235 X 120 X 56MM	IP67	150w	65A	For dimming use with DT.ECP-701-8A below
	DT.LPV-150 	191 X 63 X 37.5MM	IP67	150w	65A	For dimming use with DT.ECP-701-8A below
	DT.SL-24100D024	249 X 66 X 52MM	IP67	100w	60A	For dimming use with DT.ECP-701-8A below
	DT.LPV-100 	190 X 52 X 37.5MM	IP67	100w	75A	For dimming use with DT.ECP-701-8A below
	DT.SL-VB-240-60P	199 X 66 X 52MM	IP67	60w	55A	For dimming use with DT.ECP-701-8A below
	DT.LPV-60 	162 X 42.5 X 32MM	IP67	60w	60A	For dimming use with DT.ECP-701-8A below
	DT.SL-VB-240-30M	222x 29 x 20	IP67	30w	40A	For dimming use with DT.ECP-701-8A below
	DT.LPV-35 	148 X 40 X 30MM	IP67	30w	55A	For dimming use with DT.ECP-701-8A below
	DT.SL-VA-240-15U	222x 29 x 20MM	IP67	20w	35A	For dimming use with DT.ECP-701-8A below
	DT.ECP-701-8A	82 x 33 x 20mm	IP20	200W MAX 0-10V DIMMING INTERFACE		DIMS DOWN <10% FROM ZERO
	DT.ECP-701-12A	175 x 44 x 33	IP20	200W MAX 0-10V DIMMING INTERFACE		DIMS DOWN <10% FROM ZERO

DRIVER OPTIONS (continued)



DT.ECP-701-8A-DALI
(DUAL OPERATION)

158x 50.5x 34

IP20

200W MAX DALI DIMMING INTERFACE
200W MAX DMX DIMMING INTERFACE

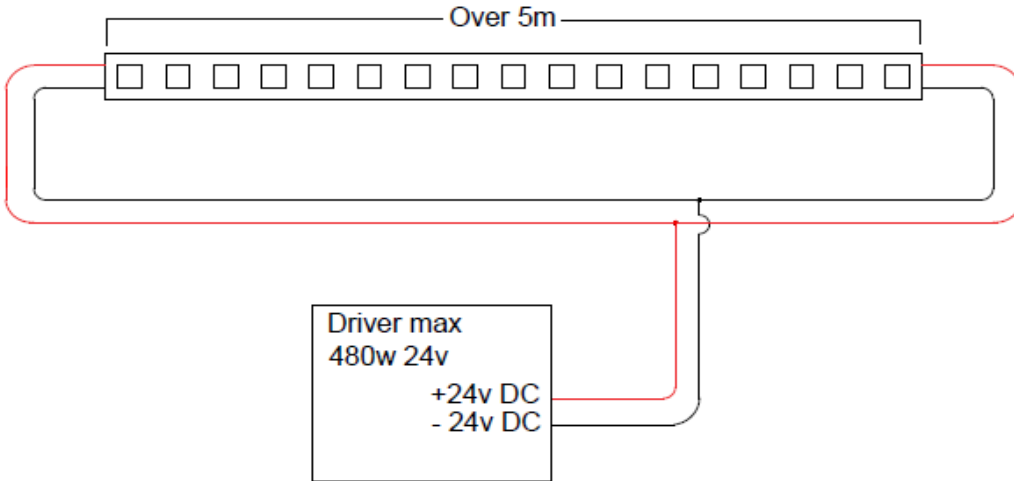
DRIVER OPTIONS TRIAC DIMMING DRIVER - ONE PIECE OPTIONS

Image	Code	dims	IP rating	Power	Inrush (A)	Comment
	DT.ELED-25-24-T	155 x 54 20	20	25w	35A	Works with leading edge TRIAC dimmers
	DT.ELED-50-24T	174x 61x 24mm	20	50W	50A	Works with leading edge TRIAC dimmers
	DT.ELED-80-24T	200x 68.5x 43	66	80W	55A	Works with leading edge TRIAC dimmers

NOTE DRIVER MUST BE LOADED ABOVE 75% CAPACITY FOR SMOOTH DIMMING

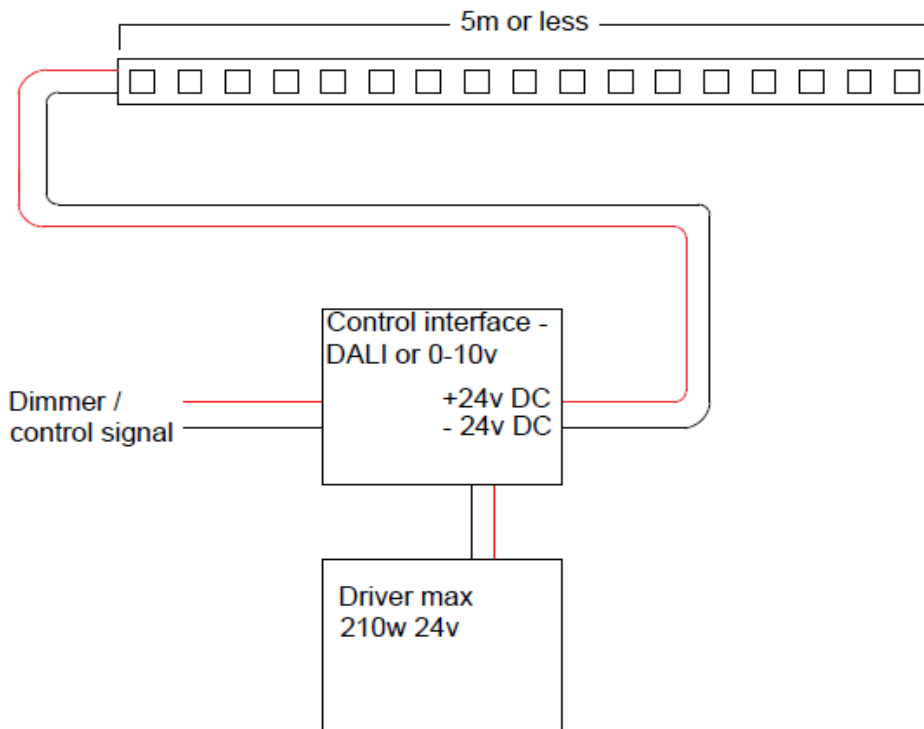
WIRING AS A RING CIRCUIT - OVER 5M

If LED strip is greater than 5m then circuit must be wired as a ring. Drivers can be mounted up to 20m away, provided the above is respected and 1.5mm cable used from the driver to the LED strip. In cases of drivers mounted over 10m from strip a bench test is recommended.



WIRING FOR 0-10V OR DALI DIMMING

This circuit is the standard layout for LED strip of 5m or less. for 5.1m - 10m strip should be fed from both ends (separate diagram available)



WIRING FOR DMX INTERFACE CONTROL OF RGB

If LED strip is greater than 5m then circuit must be wired as a ring. Drivers can be mounted up to 20m away, provided the above is respected and 1.5mm cable used from the driver to the LED strip. In cases of drivers mounted over 10m from strip a bench test is recommended.

