

Fritz

Code : DT.2051

CE IP65 CRI>90 ³SDCM

Description

Round surface mounted LED spotlight. Adjustable 90 deg tilt, dimmable. IP rated. Supplied with anti-glare cowl, honeycomb & 2m lead

Materials

Die-cast aluminium,

Colour finish

Anthracite grey or -RAL

Dims (mm) 55 Ø x 165 (L)

Weight (KG) 1.5

Light Source

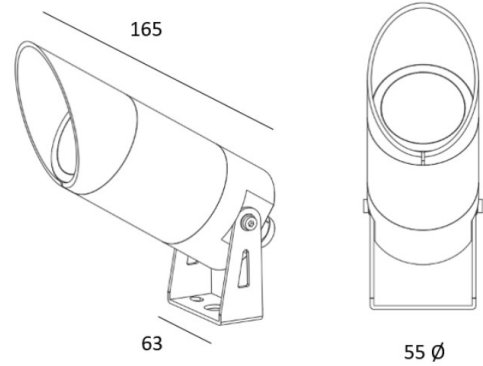
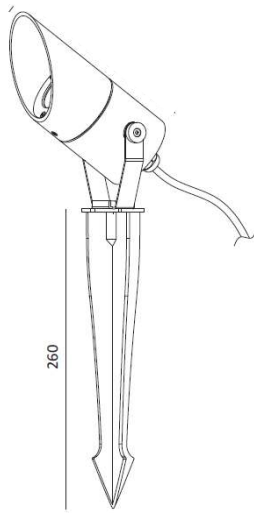
Option A. GU10 7w LED (560 lms) 240v 12°, 24°, 36

CCT available 2700K 3000K 4000K

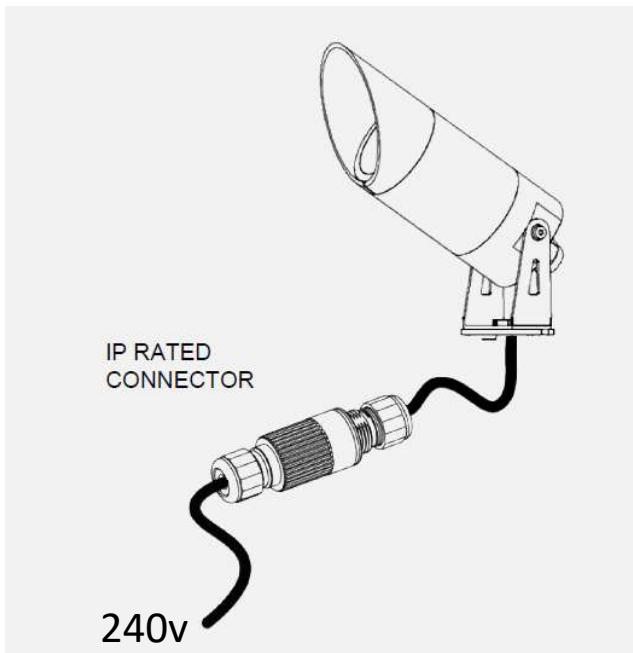
Dimming: Mains, DALI, Casambi  allows dimming control of each fixture

Special Notes: Option B. requires remote driver box
Supplied with ground fixing spike



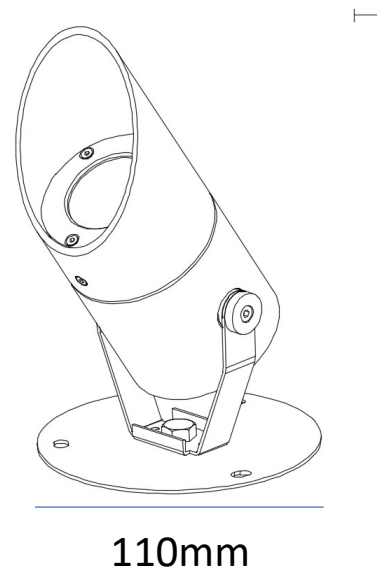


Supplied with ground spike & honeycomb



REDUCE CABLE SIZE IN ORDER TO MAKE SECURE CONNECTION

WARNINGS - all enclosures and fittings for external lights must be at least IP65



Custom round fixing base